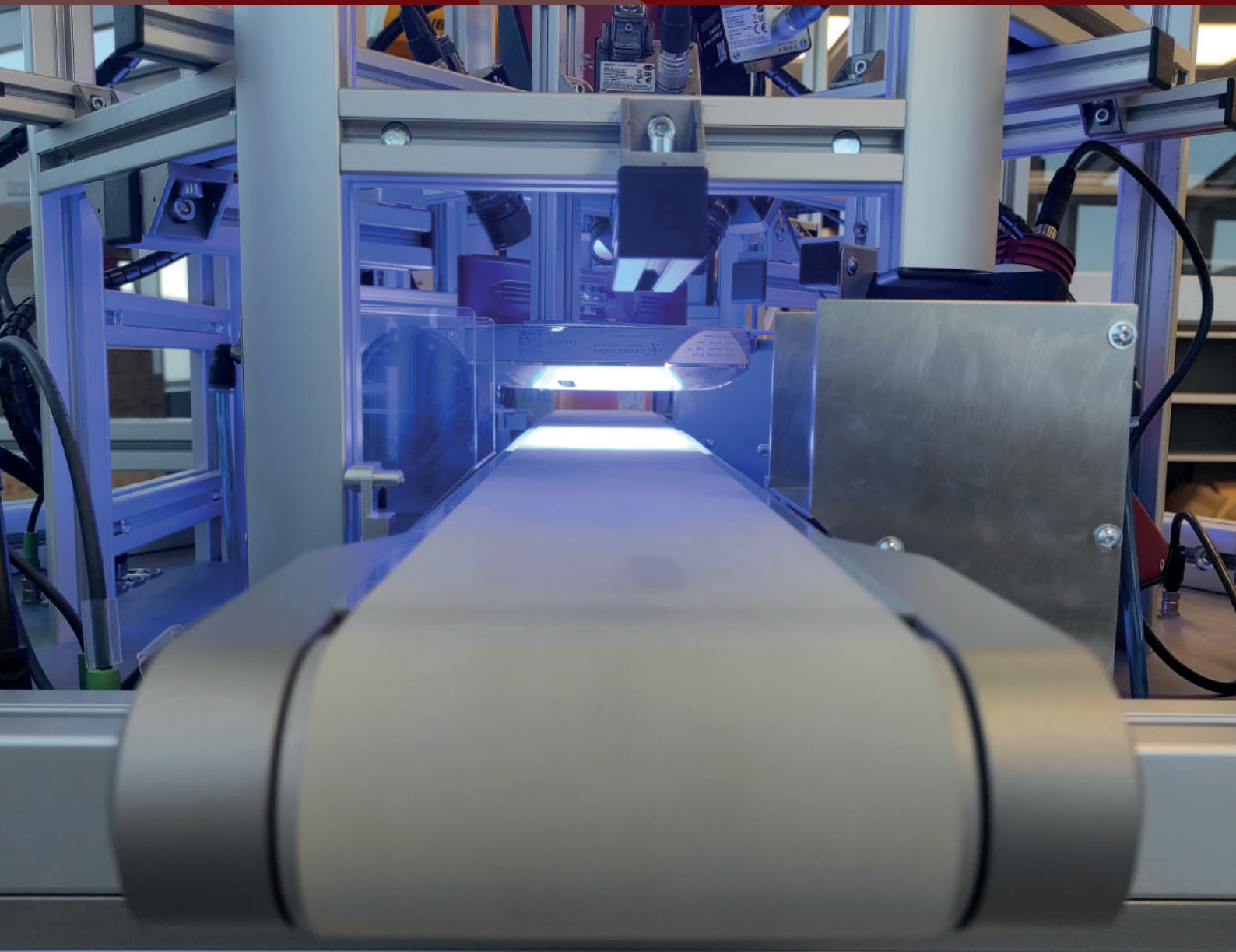
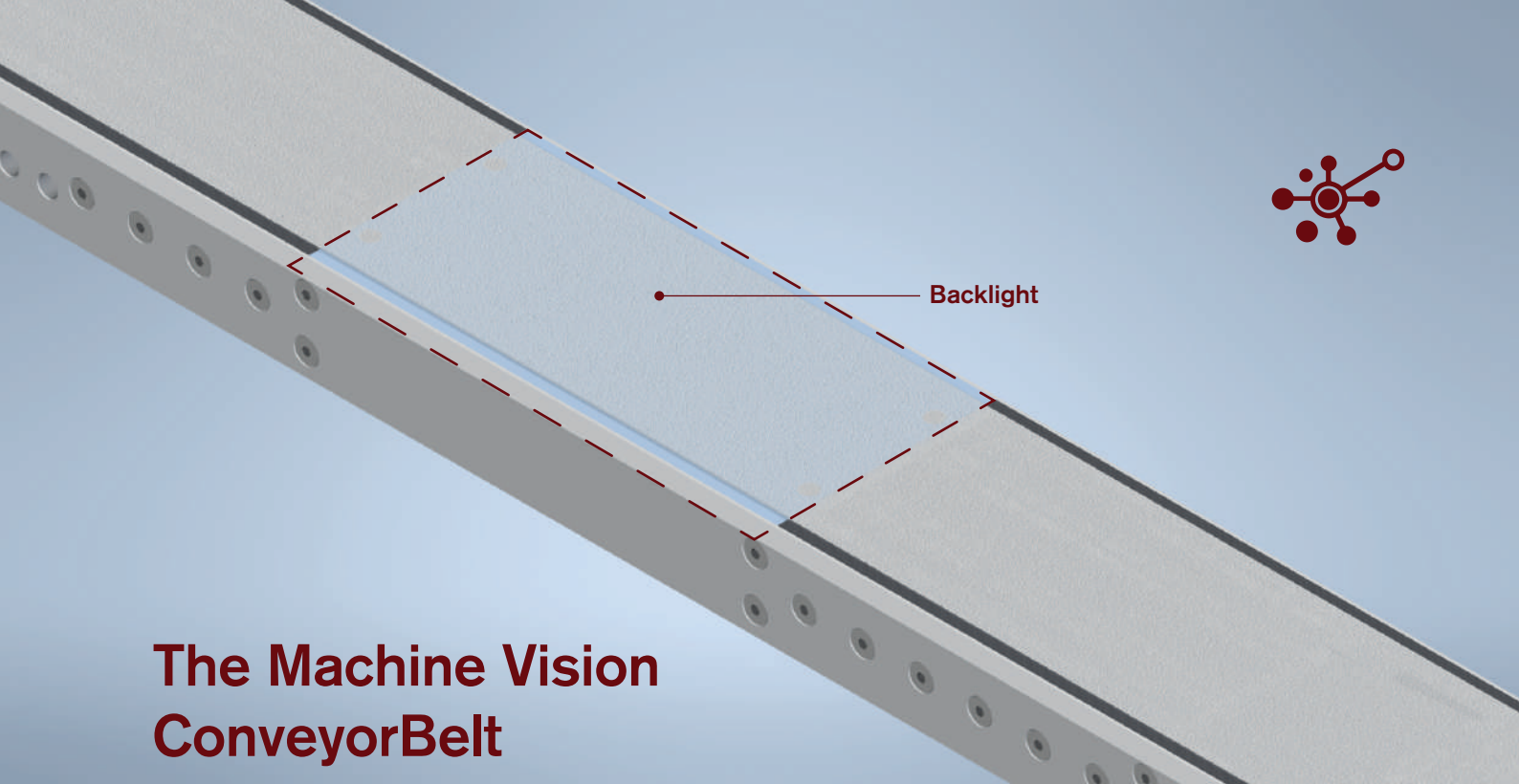


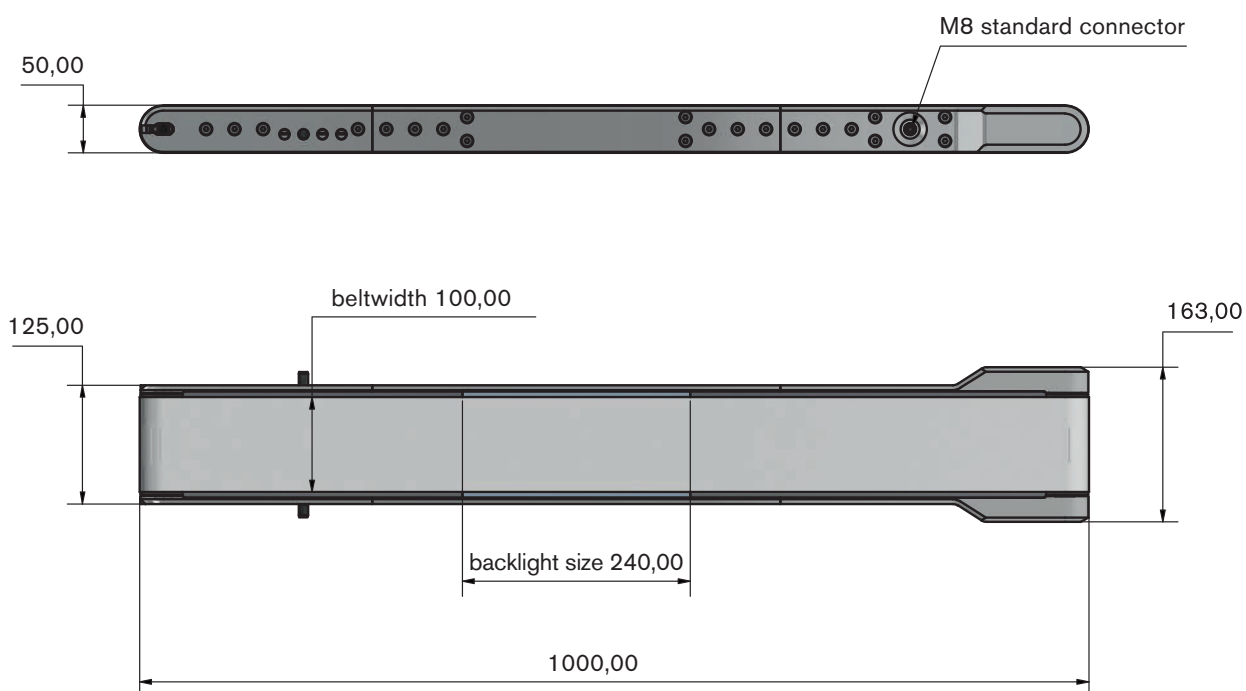
The Machine Vision ConveyorBelt





The Machine Vision ConveyorBelt

- ✓ The conveyorbelt is **pecially made for machine-vision** purposes
- ✓ Easy to **remove and clean** (no tools needed, snap-in system)
- ✓ **Backlight** area at the center
- ✓ **Built** in motor and encoder
- ✓ Machined from **solid aircraft aluminium**



The Machine Vision ConveyorBelt



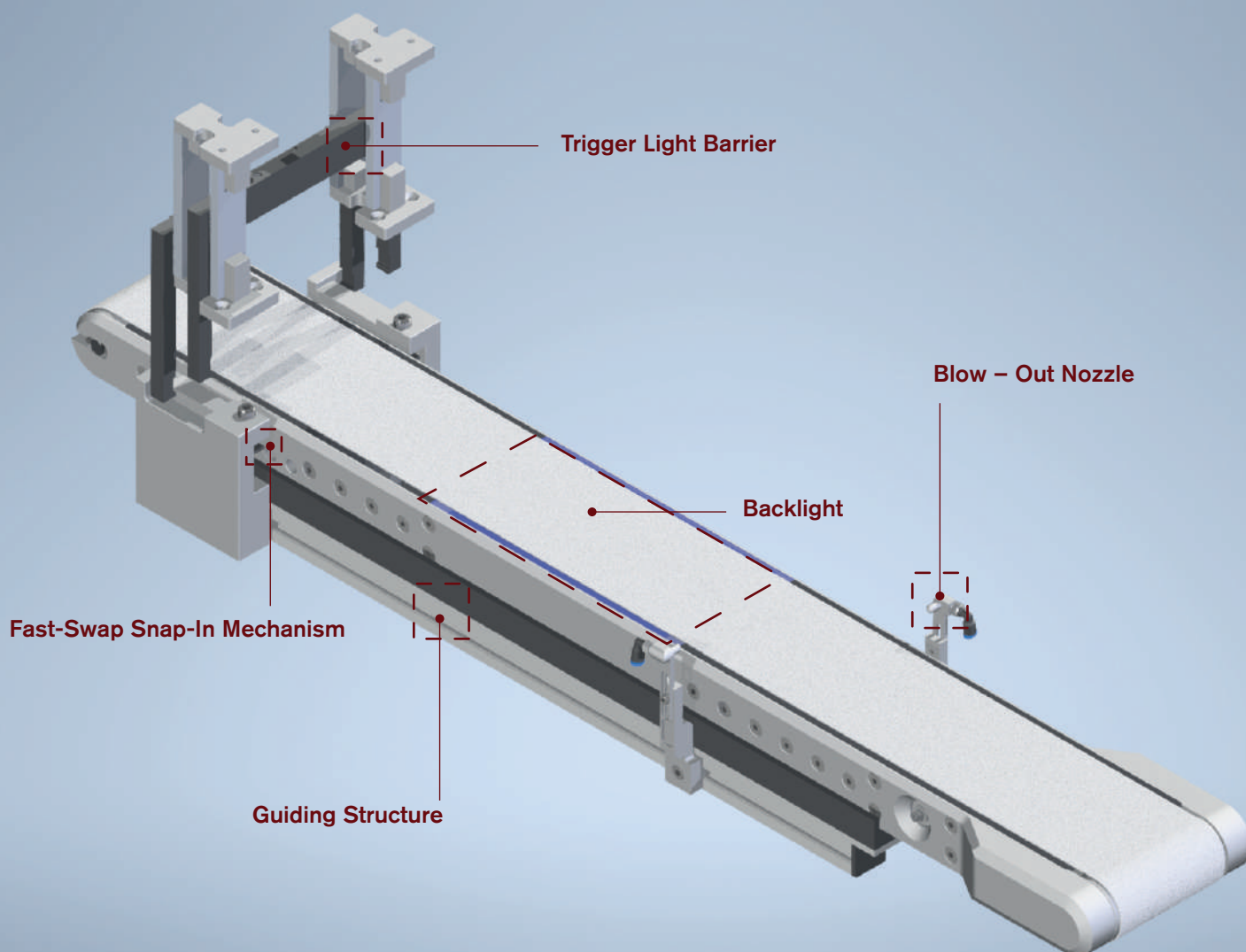
- ✔ **Function:** Speed Set Input 0-10V or via Potentiometer 10kOhm
- ✔ **Function:** Encoder Signal 24V
- ✔ **Function:** Direction Switchable
- ✔ **Power Supply:** 24V DC (Range 10-28V)
- ✔ **Power Light:** 24V / 0.31A / 75W
- ✔ **Power Motor:** 24V / 0.5A / 12W
- ✔ **Light Wavelength:** Blue (453nm)
- ✔ **Machine efficiency:** minimal downtimes, the conveyor can be replaced in under one minute
- ✔ **How to Clean:** remove the electrical connector, pull out the conveyor like a drawer, pull the belt to the side
Washable with normal dish-soap and water
- ✔ **OEM:** 1000mm version in stock. Individual length on request: range between 800mm and 2000mm.

OPTIONS

Fully adjustable blow-out nozzles
Height-adjustable light barriers
for trigger signals

WHY OUR CONVEYORBELT?

- > High Performance
- > Easy Assembly & Low Maintenance
- > Reliable and lean design



See videos here!

See our
Youtube Channel!



ConveyorBelt

ConveyorBelt.2



Industriestraße 35
63654 Büdingen, Germany
T +49 (0) 6042 565 25 95-10
www.cretec-cybernetics.com
Germany · Spain · Turkey