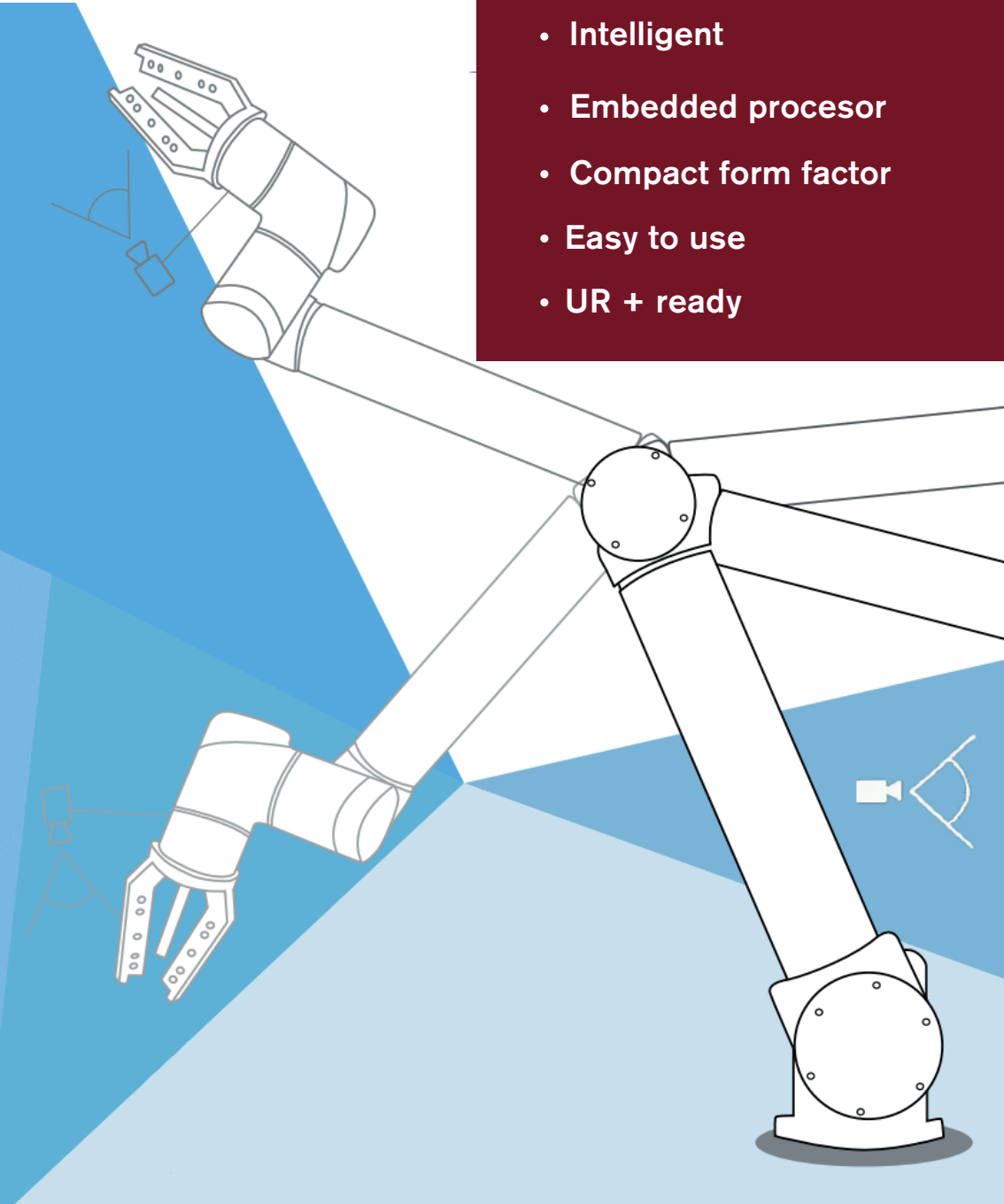


CoPicker

pick & play

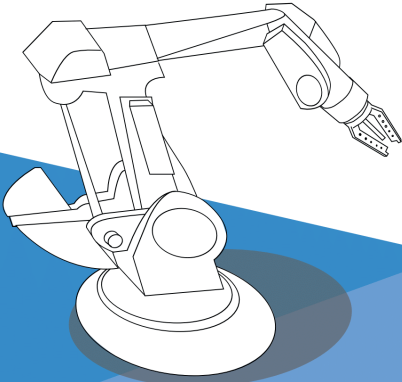
- Intelligent
- Embedded procesor
- Compact form factor
- Easy to use
- UR + ready





CoPicker

Industrial Pick & Play



- Collision avoidance and path planning
- Powerfull Embedded Technology Picking System
- Built in 3D camera and processor
- Static or on-board camera mount
- Intuitive GUI for enviroment and part model reation and pick job configuration

High performance picking system for the most challenging process in Industry

Multiplatform all connect system: compatible with Zivid, Photoneo, Solscan, laser profiler and other 3D GigEVision devices.

Part identification speed up with deep learning

Advanced path planning and collision avoidance

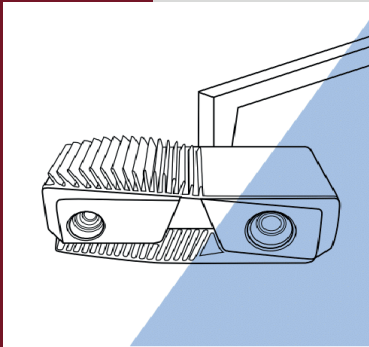
Intuitive GUI for enviroment and part model creation and pick job configuration

Our after sales service for you!

Global Knowledge & Local Support is our claim and our yardstick.

Check us out!

Don't be satisfied with less!



Cretec Cybernetics specialises in machine vision-based automation solutions and multidimensional image processing.

Our mission is, to provide a pan-european response to industrial production companies needs, for better, faster and more reliable inspection solutions.

Germany

Industriestraße 35
63654 Büdingen, Germany
T +49 6042 565 2595 10

Spain

Av. Cabrera 36, Planta 2
08302 Mataró, Spain
T + 34 937 95 92 70

Turkey

Ergenekon Mahallesi Cumhuriyet Caddesi Safir
Apartmanii No:203 K:5 D:9 Sisli Harbiye / Istanbul
T + 90 0536 992 93 86