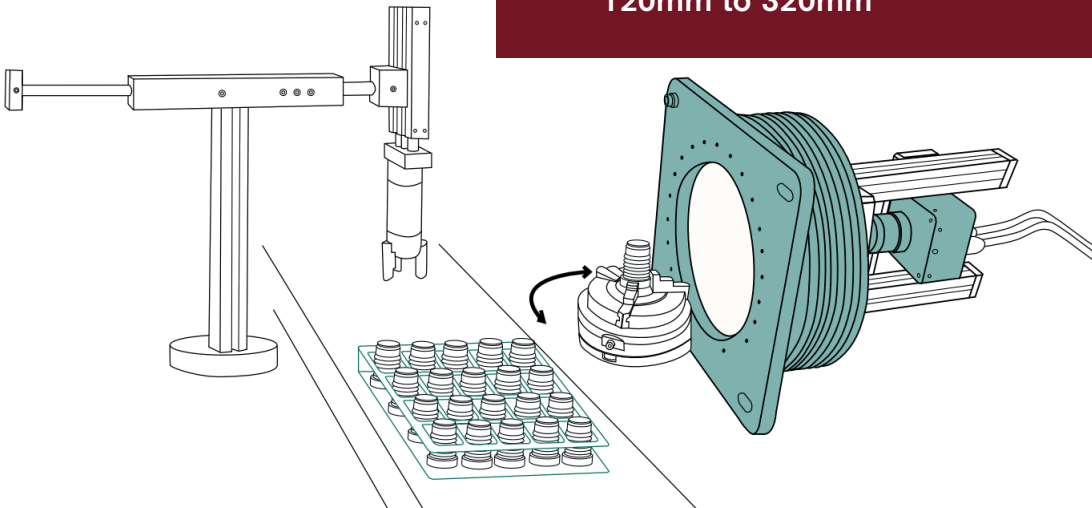


# Surf Shaper

Integrated surface quality inspection system

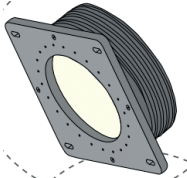
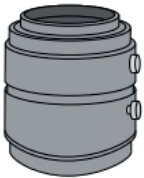
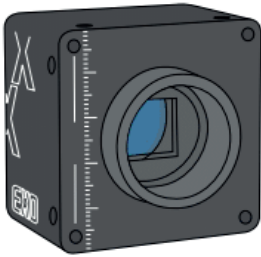
- Shiny surface inspection
- Perfect quality at reduce cost
- Individual Graphic User Interface
- Reliable detection of minor surface defects
- Marked surface inspection
- Machined surface inspection
- Inspection of hard to do cylindrical parts
- Automated solutions for 100% in-lin inspection
- CMOS-matrix or linescan-camera model variants
- Different Fields of Fiew from 120mm to 320mm





# Surf Shaper

**Integrated surface  
quality inspection  
system**



**SurfShaper** is an integrated surface inspection system that enables fully automatic high precision surface defect detection, independent of the parts angular position.

Lengthy sample inspection at metrology laboratories can now be substituted by automated 100% inspection, saving time and reaching unprecedented inspection results.

Inspection and bad part detection with SurfShaper puts full control over your product surface quality in your hands.

SurfShaper is the result of nearly 20 years of machine vision expertise combined with latest achievements in algorithms and hardware.

SurfShapers structured lighting system allows for secure and reliable surface inspection, including glossy, shiny part surfaces, parts with marks from machining, deteriorated and marked surfaces.

With our extensive and experienced integrator network we offer you turn-key surface inspection machines as never seen before.

**Our after sales service for you!**

**Global Knowledge & Local Support** is our claim and our yardstick.

Check us out!

Don't be satisfied with less!

**Cretec Cybernetics** specialises in machine vision-based automation solutions and multidimensional image processing.

Our mission is, to provide a pan-european response to industrial production companies needs, for better, faster and more reliable inspection solutions.

## Germany

Industriestraße 35  
63654 Büdingen, Germany  
T +49 6042 565 2595 10

## Spain

Av. Cabrera 36, Planta 2  
08302 Mataró, Spain  
T + 34 937 95 92 70

## Turkey

Ergenekon Mahallesi Cumhuriyet Caddesi Safir  
Apartmanii No:203 K:5 D:9 Sisli Harbiye / Istanbul  
T + 90 0536 992 93 86

[www.cretec-cybernetics.com](http://www.cretec-cybernetics.com)